

ADDplus®

vertebral body replacement

100 Years

Over A Century Of Innovation



Ulrich
medical USA

System

The ADD*plus* is a vertebral body replacement device used for the surgical reconstruction of defects of the anterior thoracolumbar spine (T1-L5) that is designed with integrated low profile plates for increased stability.



Diameter	Expansion Range	Angles
12mm	13-18mm	0°
12mm	17-26mm	6°
12mm	25-41mm	12°
12mm	40-65mm	18°

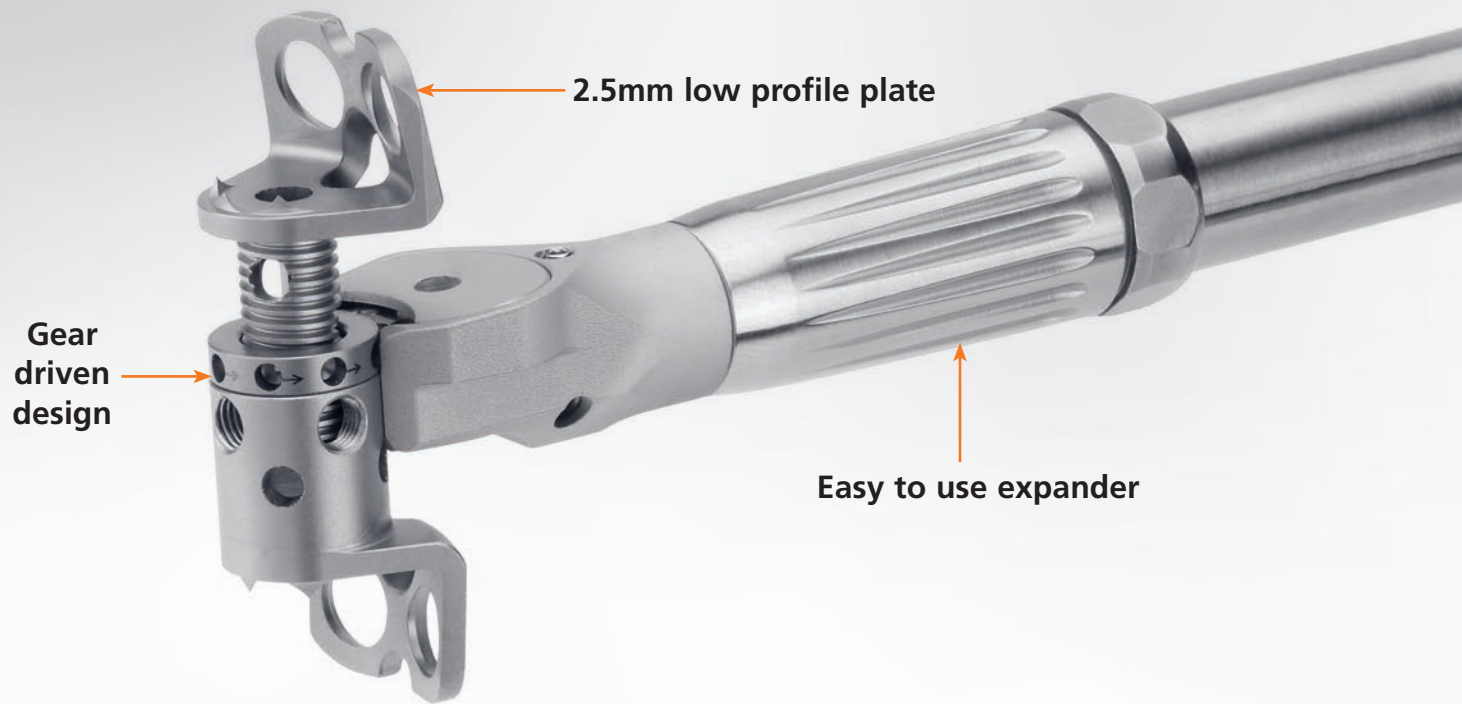
Indications

The ADD*plus* is a vertebral body replacement device intended for use in the thoracolumbar spine (T1-L5) to replace a collapsed, damaged or unstable vertebral body due to tumor or trauma (i.e. fracture).

The ADD*plus* is intended to be used with supplemental internal fixation systems that are cleared by the FDA for use in the thoracic and lumbar spine. Such systems include posterior pedicle screw and rod systems, anterior plate systems, and anterior screw and rod systems.

The use of bone grafting material with the ADD*plus* is optional.



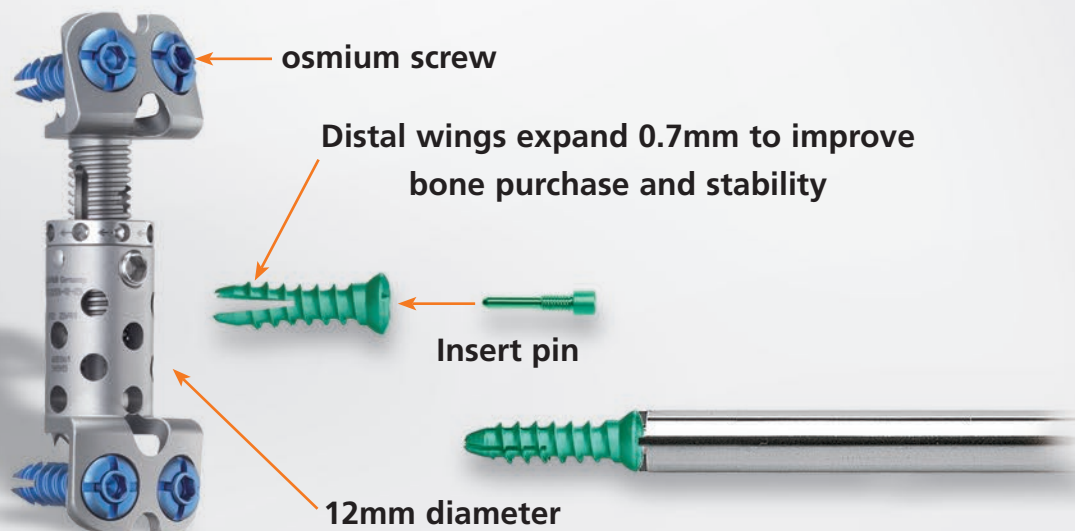


Advantages

The ADDplus can be expanded in situ in a continuous, frictionless manner, thus allowing for easy placement and bridging of the defect. The implants provide simultaneous support and stabilization of the thoracolumbar spine.

The plate allows use of 4.0mm and 5.0mm diameter expandable screws. The expandable osmium™ screw provides optimal anchoring and mechanical stability.

- Expandable VBR with incorporated plates
- Continuous, frictionless expansion using gear driven technology
- Improved stability with integrated plates
- Titanium alloy material



Components

Implants	Height	Product number
ADDplus Ø 12mm	0° 13–18mm	CS 2252-12-13
ADDplus Ø 12mm	6° 17–26mm	CS 2253-12-17
ADDplus Ø 12mm	12° 25–41mm	CS 2253-12-25
ADDplus Ø 12mm	18° 40–65mm	CS 2253-12-40
osmium screw incl. bolt , yellow, Ø 5mm	14mm	CS 1300-14T
osmium screw incl. bolt , green, Ø 5mm	16mm	CS 1300-16T
osmium screw incl. bolt , blue, Ø 5mm	18mm	CS 1300-18T
osmium screw incl. bolt , grey, Ø 4mm	12mm	CS 1303-12
osmium screw incl. bolt , yellow, Ø 4mm	14mm	CS 1303-14
osmium screw incl. bolt , green, Ø 4mm	16mm	CS 1303-16
osmium screw incl. bolt , blue, Ø 4mm	18mm	CS 1303-18
Set screw		CS 2259 or CS 2259-01
Instruments		Product number
Expansion instrument		CS 2256
Straight Expander/Inserter Blue Handle		CS 2256-01
Assist Handle		CS 2256-02
12mm Cassette Head		CS 2256-12
14mm Cassette Head		CS 2256-14
16mm Cassette Head		CS 2256-16
Outer Shaft		CS 2256-20
Inner Shaft		CS 2256-21
Implant Releasing Rod		CS 2256-22
Screwdriver for osmium screw		CS 1332-01
Attachment for screwdriver Ø 4mm		CS 1332-40
Attachment for screwdriver Ø 5mm		CS 1332-50
osmium screw tightener		CS 1322
Drill bit , Ø 2.5mm, for CS 1324		CS 1323
Depth stop		CS 1324-1
Depth adjustor for CS 1324-1		CS 1324-2
Locking nut for CS 1324-1		CS 1324-3
Tap for osmium screws , Ø 5mm, for CS 1324		CS 1325
Tap for osmium screws , Ø 4mm, for CS 1324		CS 1326
Screwdriver , hex 2.5mm		CS 1328
AO Screwdriver , hex 2.5mm		CS 1334-01
AO Screwdriver , hex 2.0mm		CS 1336
AO Handle		CS 1863-01
Expansion instrument		CS 2252
Inserter for small heights		CS 2255-1
Inserter for large heights (larger than 16mm)		CS 2255-2
Impactor , height 8mm, straight		CS 2274-2
Measuring caliper		CS 5788



Over A Century Of Innovation



18221 Edison Avenue, Chesterfield, MO 63005
 Phone: 866.519.0268 | Fax: 636.519.0271
www.ulrichmedicalusa.com
 IFU: www.ifu.ulrichmedical.com



World Headquarters
ulrich medical®
 Buchbrunnenweg 12
 89081 Ulm, Germany